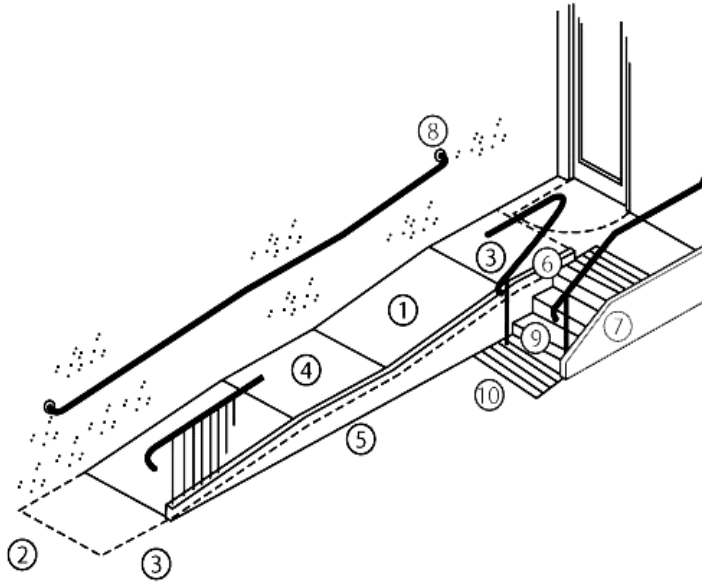


Access for All: Designing for an Accessible Environment

1. Ramp between landings
10m for 1:15 to 1:20 slope, or 5m for 1:12 to 1;15 slope
2. Width of ramp surface minimum 1.2m, unobstructed width of 1m minimum
3. Top and bottom landings length 1.2m minimum
4. Intermediate landing length 1.5 minimum
5. Height of kerbs to open side of ramp 100mm minimum



6. Nosing to each tread distinguished by permanent colour or tonal contrast
7. Step risers 150mm max. and treads 280mm min. Open risers or tapering treads not recommended
8. Return handrail to wall or provide positive end Handrail 900mm above nosing line
9. Extend handrail horizontally beyond top and bottom step 300mm min.
10. Corduroy tactile paving in contrasting colour to top and bottom stairs

Figure 4. Ramp design with complimentary steps

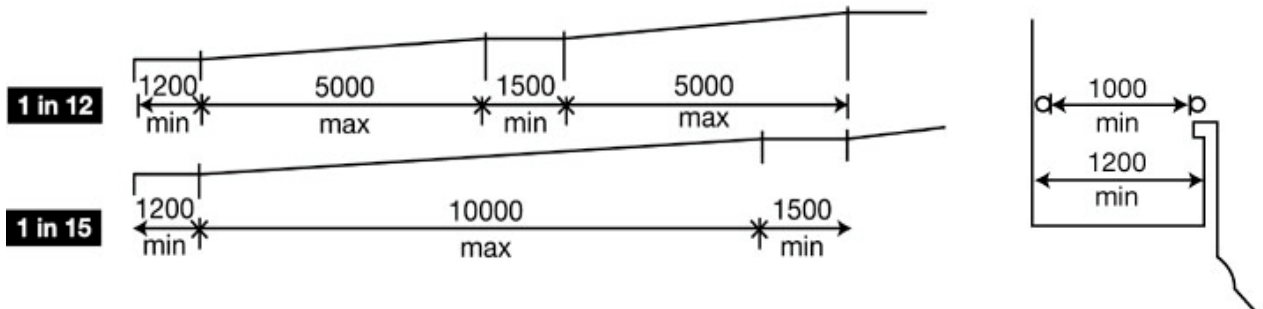


Figure 5. Sections through ramp